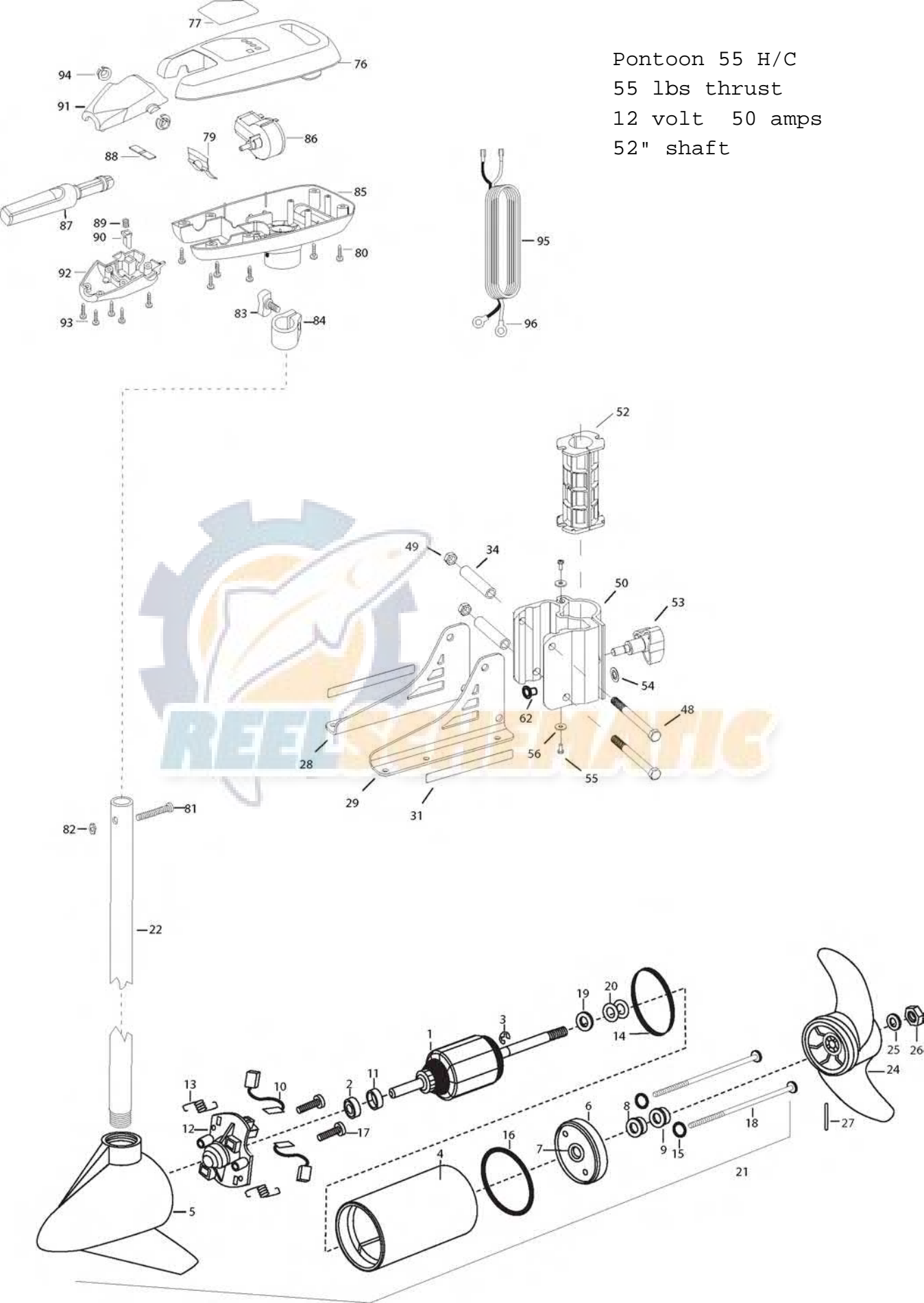


Pontoon 55 H/C
55 lbs thrust
12 volt 50 amps
52" shaft



PARTS LIST

| ITEM # | QTY | PART NUMBER | DESCRIPTION |
|--------|-----|-------------|------------------------------------|
| 1 | 1 | 2-100-121 | ARMATURE ASSEMBLY 12V 3.625 |
| 2 | 1 | 140-010 | BEARING-BALL |
| 3 | 1 | 788-015 | RETAINING RING |
| 4 | 1 | 2-200-101 | CENTER HOUSING ASSEMBLY |
| 5 | 1 | 2-300-199 | BRUSH END HOUSING ASSEMBLY SPD CO |
| 6 | 1 | 2-400-101 | PLAIN END HOUSING ASSEMBLY |
| 7 | 1 | 144-049 | BEARING- FLANGE SERVICE ONLY |
| 8 | 1 | 880-003 | SEAL |
| 9 | 1 | 880-006 | SEAL-W/SHIELD |
| 10 | 2 | 188-036 | BRUSH ASSEMBLY |
| 11 | 1 | 725-035 | TUBE- BRUSH RETENTION |
| 12 | 1 | 738-036 | BRUSH PLATE WITH HOLDER |
| 13 | 2 | 975-040 | SPRING- TORSION |
| 14 | 1 | 337-036 | GASKET |
| 15 | 2 | 701-008 | O-RING THRU BOLT |
| 16 | 1 | 701-081 | O-RING |
| 17 | 2 | 830-007 | #8-32 SCREW |
| 18 | 2 | 830-042 | THRU BOLT 10-32X8.83 |
| 19 | 1 | 990-067 | WASHER- STEEL THRUST |
| 20 | 2 | 990-070 | WASHER-NYLATRON |
| 21 | 1 | 2097099 | MOTOR ASSEMBLY 12V F/W 3.625 5SPCO |
| 22 | 1 | 2032068 | TUBE- COMPOSITE-52" |
| ■ | 1 | 1378131 | PROPELLER KIT |
| *24 | 1 | 2091160 | PROPELLER- W/WEDGE 2 |
| *25 | 1 | 2151726 | WASHER- 5/16 SS |
| *26 | 1 | 2053101 | NUT-PROP NYLOC |
| *27 | 1 | 2092600 | PIN DRIVE |
| ■ | 1 | 2991715 | PONTOON BRACKET ASSEMBLY |
| 28 | 1 | 2261915 | BRACKET, LEFT |
| 29 | 1 | 2261916 | BRACKET, RIGHT |
| 31 | 2 | 2265689 | DECAL, MINNKOTA |
| 34 | 2 | 2261727 | BRACKET SPACER |
| 48 | 2 | 2263511 | BOLT 3/8-16 X 4.0" |
| 49 | 2 | 2263114 | NUT-NYLOCK JAM 3/8-16 |
| 50 | 1 | 2991829 | HINGE-DOOR-KNOB ASSEMBLY |
| 52 | 2 | 2261537 | HINGE-DOOR SLEEVE |
| 53 | 1 | 2260905 | KNOB-SOFT GRIP, L&D |
| 54 | 1 | 2261728 | WASHER-RETAINING 3/8" |
| 55 | 2 | 2053415 | SCREW #8-32 X 3/8" TRI |
| 56 | 2 | 2261732 | WASHER #8, NYLON |
| 62 | 1 | 2264703 | INSERT-THREADED |
| 76 | 1 | 2060285 | COVER-CONTROL BOX |
| 77 | 1 | 2275617 | DECAL-COVER EDGE 55/HC |
| 79 | 1 | 2302743 | SPRING-DETENT HANDLE-TILT |

| ITEM # | QTY | PART NUMBER | DESCRIPTION |
|--------|-----|-------------|---------------------------------|
| 80 | 6 | 2303412 | SCREW-6-20 X 5/8 SELF TAP |
| 81 | 1 | 2033400 | SCREW-10-24 X 1-3/4 |
| 82 | 1 | 2013110 | NIUT-10-24 HEX (ZCP) |
| 83 | 1 | 2011365 | SCREW-COLLAR/NEW KNOB |
| 84 | 1 | 2031520 | COLLAR-DEPTH W/O INSERT |
| 85 | 1 | 2062551 | CONTROL BOX PLAS W/ HAND |
| 86 | 1 | 2064028 | SWITCH-FWD/REV 5SP |
| 87 | 1 | 2990912 | HANDLE ASSEMBLY-W/U-JOINT 5SP |
| 88 | 1 | 2302742 | SPRING-DETENT OFF |
| 89 | 1 | 2302745 | SPRING-RELEASE BUTTON |
| 90 | 1 | 2303720 | RELEASE BUTTON-HANDLE |
| 91 | 1 | 2060408 | HANDLE- TOP HALF |
| 92 | 1 | 2060415 | HANDLE- LOWER HALF |
| 93 | 5 | 2303412 | SCREW-6-20 X 5/8 SELF TAP |
| 94 | 2 | 2060005 | BEARING-HANDLE PIVOT |
| 95 | 1 | 2090650 | LEADWIRE -10 GA RINGS |
| 96 | 2 | 2020700 | TERMINAL RING, 3/8' |
| ■ | 1 | 2994838 | BAG ASSEMBLY-BOLTS NUTS WASHERS |
| *98 | 6 | 2263462 | SCREW 1/4-20X2 SS |
| *99 | 6 | 2261713 | WASHER-1/4 FLAT 18-18 |
| *100 | 6 | 2263101 | NUT- 1/4-20 NYLOC-JAM |
| ■ | 1 | 2888460 | SEAL & ORING KIT |

*THIS ITEM IS PART OF AN ASSEMBLY. THIS ITEM CANNOT BE SOLD SEPARATELY DUE TO MACHINING AND/OR ASSEMBLY THAT IS REQUIRED

THIS IS A UNIVERSAL MULTI-VOLTAGE DIAGRAM. DOUBLE CHECK YOUR MOTORS VOLTAGE FOR PROPER CONNECTIONS.

Pontoon 55 is 12-volt only!

FIVE SPEED SWITCH
INTERRUPTEUR A CING VITESSES

